

BRAKING RESISTORS

For INVERTERS



Standard resistors

IP 20 and IP23

A wide range of BRAKING RESISTORS FOR INVERTERS



- RESISTORS POWER up to **2000 W** in continuous duty in continuous duty in **IP20**, and **1600W** in **IP23**, allowing **high load possibilities** (More than **25kW** in 1 second)
- A new solution allowing **IMPORTANT POWER, ATTRACTIVE PRICE and REDUCED DIMENSIONS**
- **Most frequently asked references available ON STOCK : 28Ω, 40Ω, 53Ω, 60Ω and 100Ω.**
- **Very low self.**
- **For other ohmic value from 9Ω to 133Ω, please contact us.**

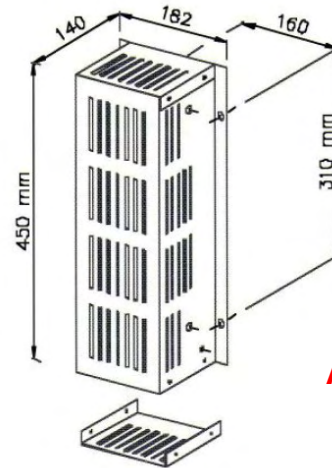
RESISTORS LP TYPE

IP 20



Horizontal Assembling

Mill Galvanized cover
Mounting Holes: 4x Ø11mm
Approximate weight : 4kg

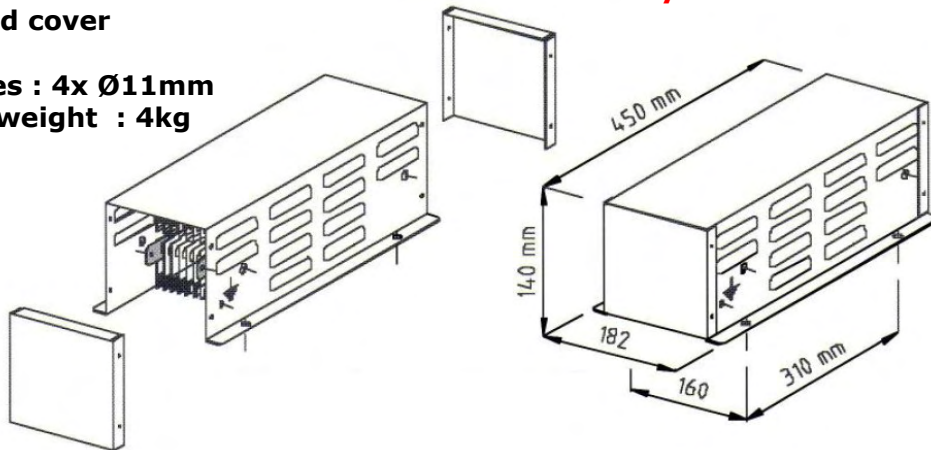


Vertical Assembling

IP 23

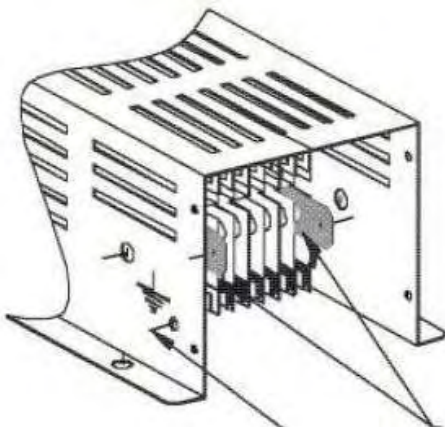
Mill Galvanized cover

Mounting holes : 4x Ø11mm
Approximate weight : 4kg



Mandatory Horizontal Assembling

Electrical connection



M6 Connection terminal
Connection capacity max 16mm²
Earthing terminal M6

METAL DEPLOYE RESISTOR

1, Route de Semur - BP 150 - 21 500 Montbard - France

Tel - (33) (0)3.80.89.58.58

Fax - (33) (0)3.80.92.24.33

E-mail : info@mdresistor.com

Site internet : www.mdresistor.com